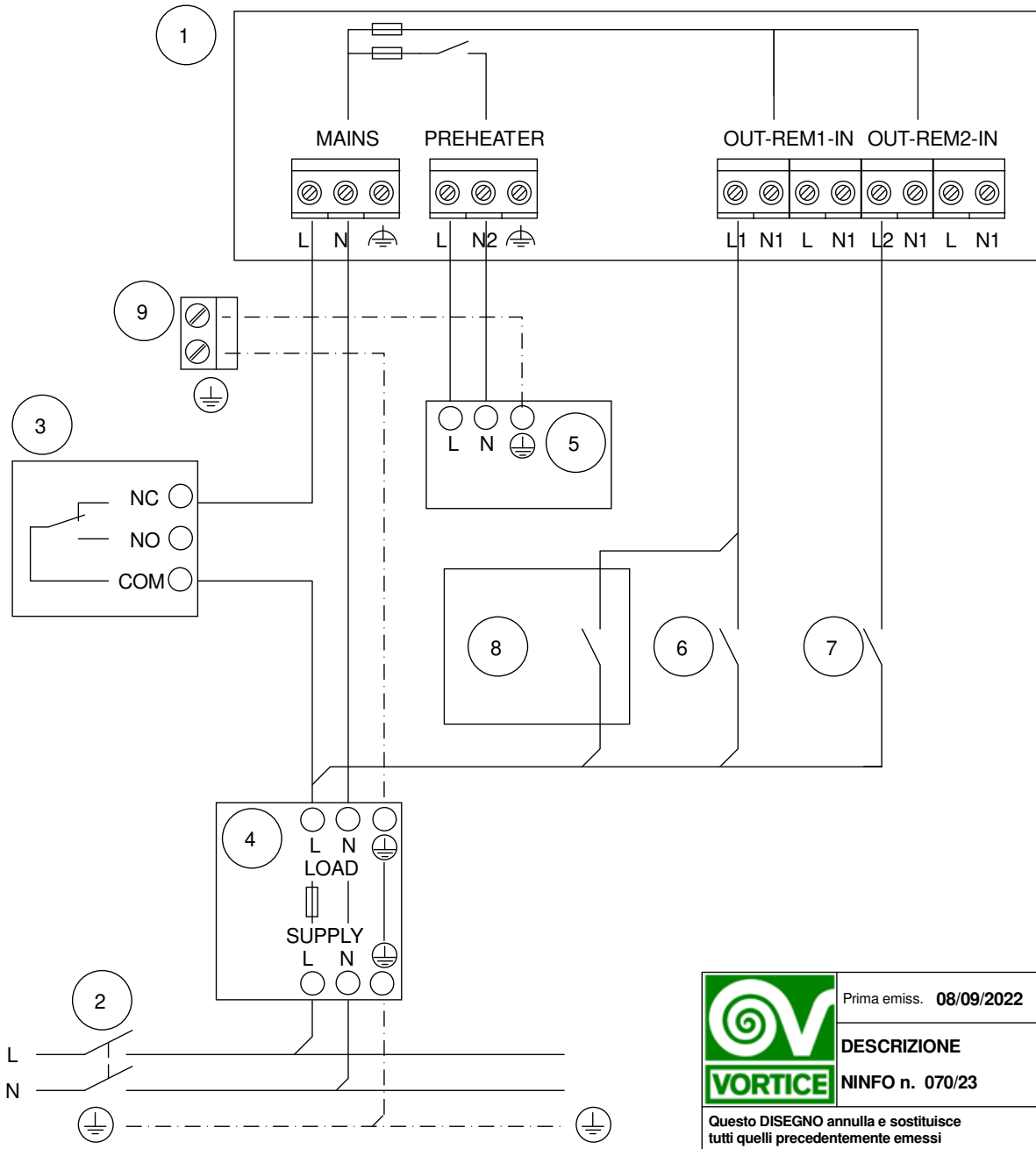



This drawing is property of VORTICE ELETTROSOCIALI S.p.A. Without the written permission of VORTICE ELETTROSOCIALI S.p.A. the drawing may not be used to construct the object represented, nor be shown to third parties or otherwise reproduced. VORTICE ELETTROSOCIALI S.p.A. will protect exclusivity rights under the law.

**MAINS**  
220-240V  
~50/60Hz



- 1 PIV unit
- 2 Main bipolar switch
- 3 SMOKE / CO detector with NO/NC contact (for reference only)
- 4 FUSE box
- 5 Preheater
- 6 Boost Remote Switch
- 7 Preheater Remote Switch
- 8 External sensors C Temp, C Smoke, C HCS (for reference only)
- 9 PE protection earth terminal

	Prima emiss. <b>08/09/2022</b>	Emiss. attuale <b>06/02/2023</b>	Dis. <b>RS/UT</b>
	<b>DESCRIZIONE</b> VORT PIV QUADRO / WALL NINFO n. 070/23		
Questo DISEGNO annulla e sostituisce tutti quelli precedentemente emessi		DISEGNO n.	<b>E960599D</b>
		CODICE n.	<b>9.993.000.599</b>